

devoLO

Home Control Motion Sensor



first steps

Thank you for placing your trust in this devolo product.

Carefully read all instructions before setting up the device and store the instructions for later reference.

Icons



Very important note. Failure to observe this note may result in damage.



Important note that should be observed.



Background information and configuration tips for your device.

Intended use

Use the Home Control Motion Sensor as described in these instructions and in the Home Control online help to prevent damage and injuries.



Except for occasional battery replacement, the Home Control Motion Sensor is completely maintenance-free. The device contains no user-serviceable parts!

CE conformity



When used as intended, the product conforms to the basic requirements of the directives 2014/53/EU, 2014/35/EU and the other relevant provisions of the Radio and Telecommunications Terminal Equipment Act (FTEG) and is designed for use in the EU, Switzerland and Norway. A printout of the CE declaration is included.

devolo Home Control

Home Control (also known as home automation) refers to the specific control of electrically operated indoor household devices. The Home Control system by devolo uses the Z-Wave™ wireless standard.

A Home Control system requires a Z-Wave™-compatible control unit such as the Home Control Central Unit from devolo. Use its Home Control portal to coordinate the Home Control Motion Sensor and all other Home Control devices. You can access the Home Control Central Unit through the **my devolo app** and at **www.mydevolo.com** in a browser.

i *For more information about setting up the Home Control Central Unit, please refer to the installation guide and/or Home Control online help.*

Accessing the Home Control Central Unit via the my devolo app (for smartphone/tablet)

Open the **my devolo app** ➤ **Home Control** and select your **Home Control Central Unit**.

Accessing the Home Control Central Unit via web browser (PC/laptop)

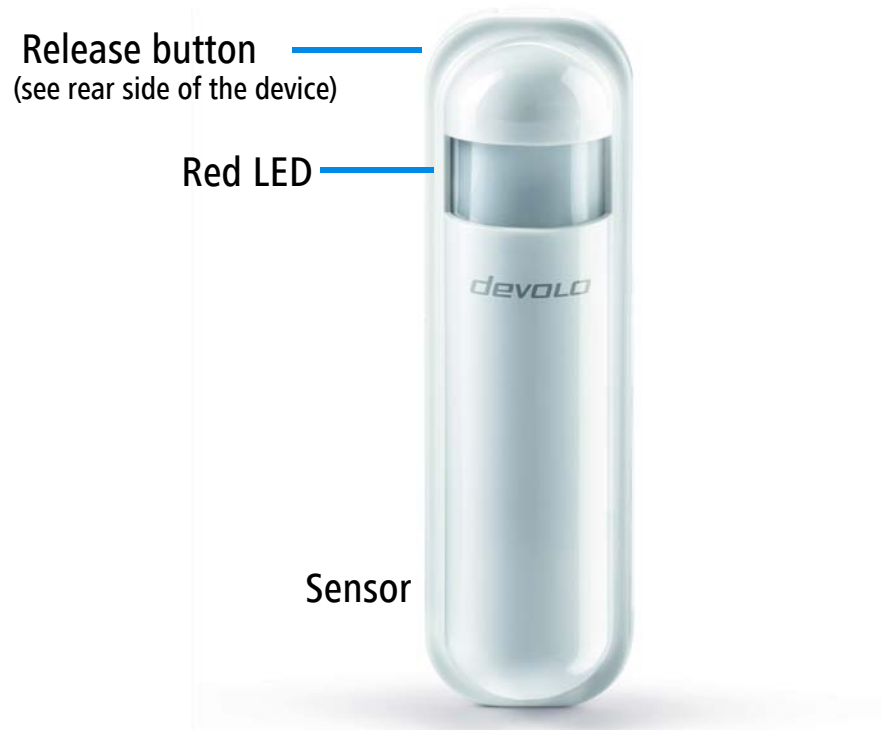
At **www.mydevolo.com** ➤ **Home Control** select your **Home Control Central Unit**.

i *For more information on the control and configuration of all devolo Home Control devices, as well as application examples, please refer to the Home Control online help.*



The Home Control Motion Sensor

The Home Control Motion Sensor measures brightness and temperature. Detects movements in an angle of 80 degrees horizontally and in a distance of up to 8 metres. The integrated light sensor can also be an impulse transmitter for the light controls. Furthermore, the Home Control Motion Sensor has an integrated LED and a release button.



- i** For more detailed descriptions of the Home Control Motion Sensor functions, refer to the Home Control online help.

Batteries



Always keep batteries away from open flame and high temperatures. Avoid direct sunlight and heat radiation!

Always remove all batteries from battery-operated devices that are only in storage and are not in use. Old batteries can leak and damage the device!

Do not use rechargeable batteries!

When inserting the battery, make sure the polarity is correct. Using the battery incorrectly can damage the device!




The Home Control Motion Sensor requires a commercially available CR123(A) lithium battery. For information on replacing the battery, please refer to the Home Control online help.

Registering the Home Control Motion Sensor on the control unit (e.g. devolo Home Control Central Unit)




Only use the Home Control Motion Sensor indoors.

Avoid placing the Home Control Motion Sensor in direct sunlight or radiant heat!

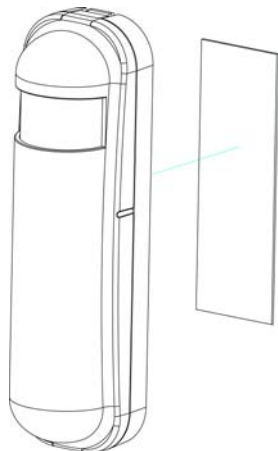
- ① Without installing it, place the Home Control Motion Sensor near the location you would like it to be (such as a door frame or passageway).
- ② When you use the **Home Control Central Unit** from **devolo**, follow the description in the section **devolo Home Control** on page 3 to call up your **Home Control Central Unit** and select **Devices** 


Add device ➤ **devolo Home Control Motion Sensor**. Follow the instructions in the Home Control portal for logging into your Home Control Central Unit.

Installing the Home Control Motion Sensor

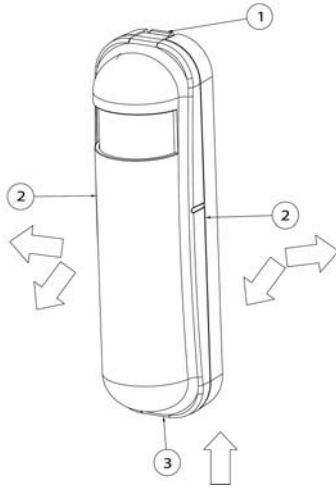
 ***Install the Home Control Motion Sensor on a flat and level surface so that the black release button on the rear of the sensor is depressed when the device is mounted.***

- ③ Before permanently fastening the Home Control Motion Sensor at the desired location, test whether the sensor can be triggered. If the LED flashes when passing by, the sensor is positioned optimally.
- ④ **If using the double-sided tape to fasten the Home Control Motion Sensor**, adhere the tape strip **to the centre** (below the release button) on the **rear** of the **sensor** and attach the Home Control Motion Sensor to the desired location.



 ***If installing to a wall using screws, make sure that no gas, water or power lines in the wall get damaged. There is a danger of electric shock!***

- ⑤ **If you use screws to attach the Home Control Motion Sensor**, take apart the upper and lower housing component of the sensor by pressing the tab down **1** in order to release the housing components (from top to bottom, **2** and **3**).



- Based on the template on the lower housing component, drill holes into the desired location and attach the lower component of the sensor using screws.
- Insert the bottom end of the upper housing component into the groove **3** provided for this purpose in the lower component.
- Subsequently, insert the entire upper component (from bottom to top, **3** and **2**) onto the lower component as far as it will go. This completes the installation of the Home Control Motion Sensor.

I *From now on, you can take electronic control conveniently using the Home Control portal of the Home Control Central Unit. For more information on the control and configuration of all devolo Home Control devices, as well as application examples, please refer to the Home Control online help.*

Service and warranty

Warranty: 3 years

If your devolo device is found to be defective during initial installation or within the warranty period, please contact the vendor who sold you the product. The vendor will take care of the repair or warranty claim for you. The complete warranty conditions can be found at www.devolo.com/warranty.

Great Britain	+44 203 0241 838 *	support@devolo.co.uk
Portugal	+351 707 200 896 *	support@devolo.pt
Spain	+34 902 887 682 *	support@devolo.es
Sweden	+46 771 400 480 *	support@devolo.se
Other countries	+49 241 70 525 18 *	support@devolo.com

* Detailed information about the actual costs of the telephone calls can be found on the devolo website.

Disposal

Neither the Home Control Motion Sensor nor the battery may be disposed of with the household waste. Instead, you can return these at no charge at your municipal collection point or at the retailer (e. g. supermarket, specialist shop).





devolo

devolo AG

Charlottenburger Allee 60

52068 Aachen – Germany

www.devolo.com